

CTV2 TWO-LINE CALLER-TV

Follow the instructions in the User's Manual; the video connections are the same as outlined there. The phone connections vary, as shown in Figures 1 & 2, depending on the configuration of your phone lines. Line 1 and Line 2 Caller-IDs are displayed by the CTV2 as shown in Figure 3. For best results, use the CTV2 with two active phone lines. This will prevent data crossover between the two ID displays.

PHONE INSTALLATION WITH 2-LINE RJ-14

If both lines are combined in a single Phone Jack (RJ-14) then use a four-wire phone cable, such as the one supplied, to connect the Caller-TV unit.

Follow the instructions in the User's Manual to complete the power, video, and audio installation.

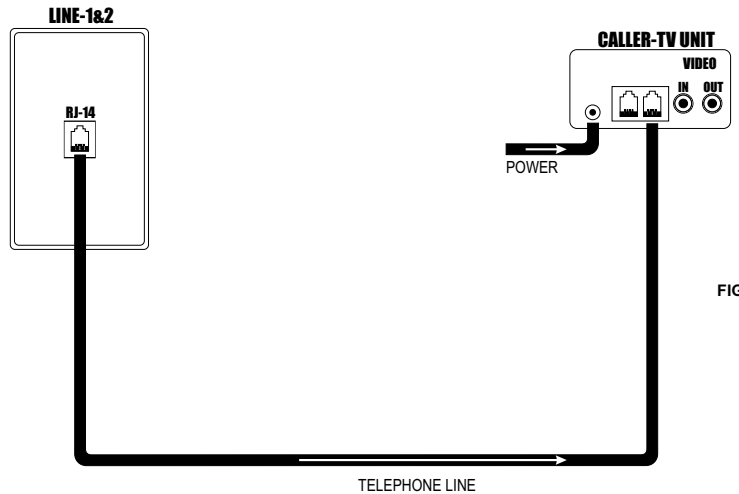


FIGURE 1

PHONE INSTALLATION WITH 2 SEPARATE SINGLE LINES

If each line is run from a separate Phone Jack (RJ-11) then use a Two-Line Coupler to combine them onto a single phone cable. Use a four-wire phone cable, such as the one supplied, to connect the Caller-TV unit.

Follow the instructions in the User's Manual to complete the power, video, and audio installation.

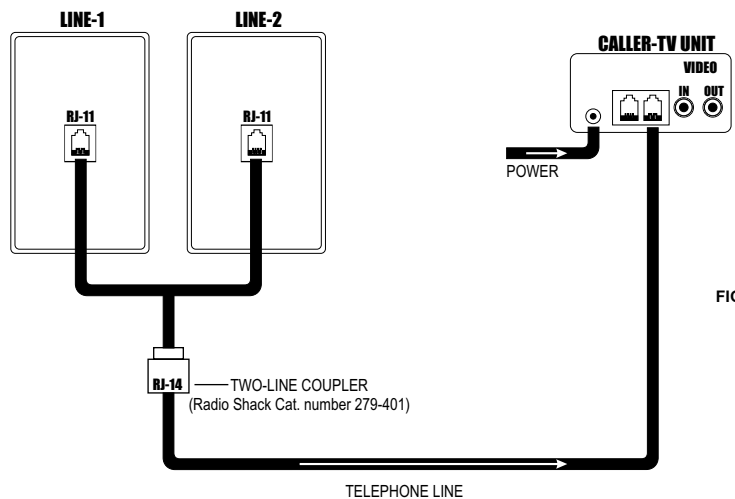


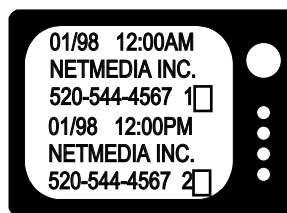
FIGURE 2

LINE 1 AND LINE 2 CALLER-ID DISPLAY

Caller-TV displays Line 1 and Line 2. When there is no video source, or the video source is turned off, it creates a blue screen and shows both Caller-IDs as shown in Figure 3. This is useful with Picture-in-Picture (PIP) TVs or to retrieve the last number at any time.

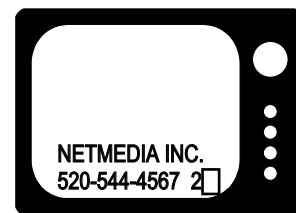
When there is a video source, only the active line's Caller-ID will display at the bottom of the screen along with a number indicating which line it is (1 or 2).

No video source
Both IDs
Always displayed



TELEVISION

With video source
Active ID
Overlaid on video



TELEVISION

FIGURE 3